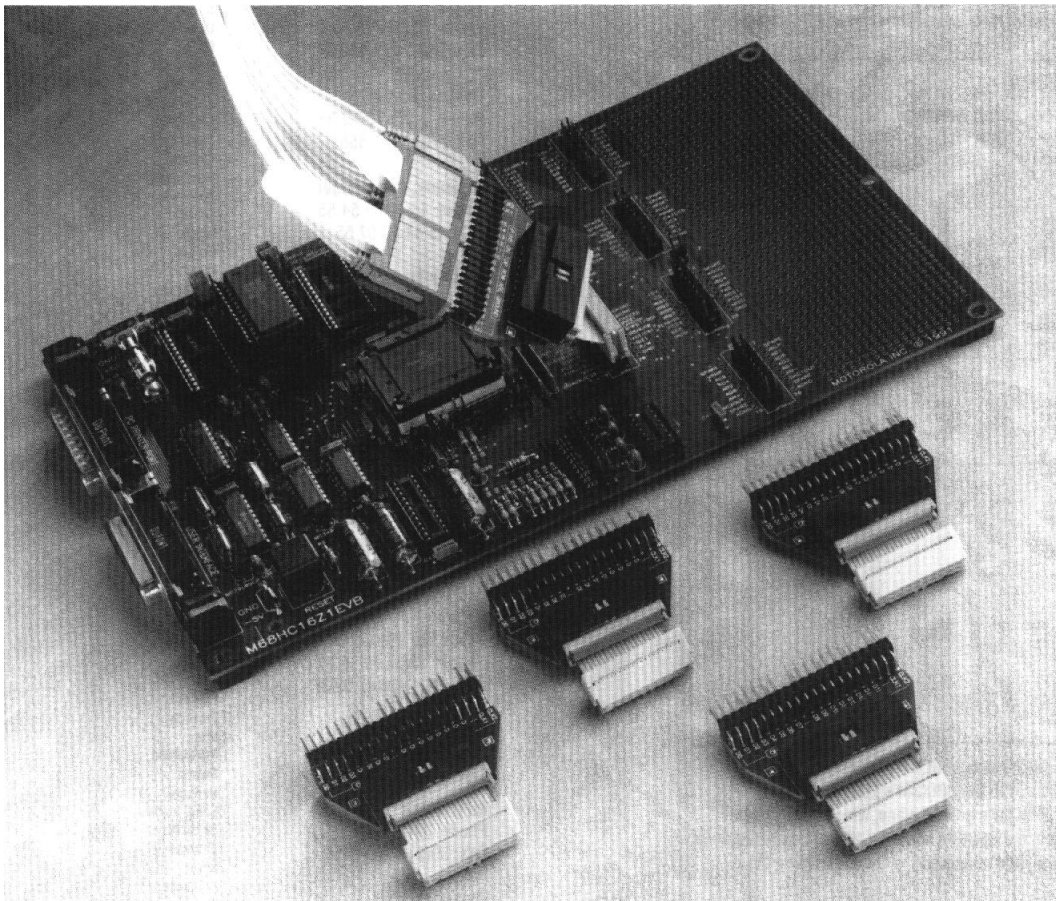


UPIK3M Tektronix Logic Analyzer-to-HP/3M Probing Adapter



Provides a quick and reliable connection between Tektronix Logic Analyzers and an HP/3M 2 x 10 0.1" connector or a 2 x 10 0.1" row of square pins.

Matching signal and ground test point pairs per pin.

Access a variety of HP or third-party-developed probe adapters with 3M connectors

Conveniently interface Tektronix LAs into HP/3M connectors that exist on your SUT.

Quick & Reliable Connections. The UPIK3M is a probing adapter that provides a quick and reliable connection between your Tek logic analyzer's probing system and either an HP/3M 2 x 10 0.1" connector (similar to 3M type 3592) or a 2 x 10 0.1" row of square pins.

The UPIK3M has a flexible flat cable which allows you to reach into small, tight spaces. Your System Under Test (SUT) is protected from intermittent shorts with an insulating pad on the back of the UPIK3M's ECB.

Each UPIK3M comes complete with five probing adapters, each containing two groups of eight channels and two clocks.

Connecting the UPIK3M

1) (Refer to Figure 1) Identify pin one, either on the HP/3M 2 x 10 connector or the 2 x 10 row of square pins, line up with pin one on the UPIK3M (identified by a colored stripe on edge of cable), and push straight down. Note that pin 20 is a ground pin.

NOTE: SUT power should be turned off since a short may occur when trying to connect or remove the UPIK3M.

2) Connect the appropriate Tek Logic Analyzer probes to the proper pins on the UPIK3M.

UPIK3M Characteristics

Maximum Recommended Clock Speed	40MHz*
AC Loading	Less than 6 pF per channel (without podlets)
DC Loading	None (without podlets)
Mechanical	(LxWxH) 2.5" x 2.0" x 0.4" (without probes) (LxWxH) 64 mm x 51 mm x 11 mm

*NOTE: The performance of the 2 x 10 connector is limited to 40 MHz due to the presence of only 1 ground. Consequently, to avoid crosstalk problems, it is recommended that signal rise/fall times should be less than 4 ns. For a higher performance probing connection, connect grounds from your SUT to the UPIK3M's two 0.040" plated holes which are connected to the ground plane on the UPIK3M's ECB.

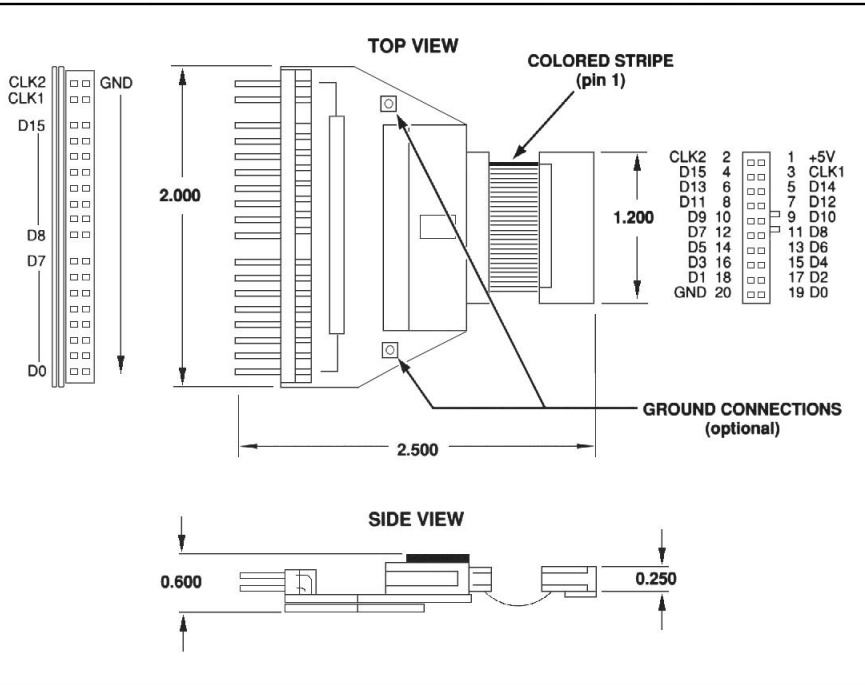


Figure 1. On the left, the UPIK3M has a dual row of 0.1" square pins, with the GND pins on the outer row and the signal/clock pins on the row immediately adjacent to the UPIK3M's ECB. Next to the connector are two 0.040" plated holes, connected to the UPIK3M's ground plane, which can be used for a higher performance probing connection. On the right, the UPIK3M has a 2 x 10 0.1" connector (similar to 3M type 3592). Note that the +5 V (pin 1 on the right connector) is not available on the square pins (on the left connector).

Ordering Information

UPIK3M Tektronix LA-to-HP/3M Probing Adapter (Package of 5).

All brand or product names mentioned are trademarks or registered trademarks of their respective holders.



Copyright © 1992, Tektronix, Inc. All rights reserved. Printed in U.S.A. Tektronix products are covered by U.S. and foreign patents, issued and pending. Information in this publication supersedes that in all previously published material. Specification and price change privileges reserved. TEKTRONIX and TEK are registered trademarks.

12/92 TG 5M

5EW-8383-1

For further information, contact:

U.S.A., Africa, Asia, Australia, Central & South America, Japan
Tektronix, Inc.
P.O. Box 500
Beaverton, Oregon 97077-0001
For additional literature, or the address and phone number of the Tektronix Sales Office or Representative nearest you, contact: (800) 426-2200

Belgium: Brussels
Phone: 32(2) 725 96 10
FAX: 32(2) 725 99 53

Canada: Barrie
Phone: (705) 737-2700
FAX: (705) 737-5588

Denmark: Copenhagen
Phone: 45 44 53 54 55
FAX: 45 44 53 07 55

Eastern Europe, Middle East, and Austria
Tektronix Ges.m.b.H.
Doerenkampgasse 7
A-1100 Vienna, Austria
Phone: 43(222) 68-66-02-0
FAX: 43(222) 68-66-00

Finland: Helsinki
Phone: 358(0) 7282 400
FAX: 358(0) 7520033

France and North Africa
Tektronix S.A.
ZAC Courtaboeuf, 4 Av du Canada
B.P.13
91941 Les Ulis Cedex, France
Phone: 33(1) 69 86 81 81
FAX: 33(1) 69 07 09 37

Germany: Koeln
Phone: 49 (221) 96969-0
FAX: 49 (221) 96969-362

Italy: Milan
Phone: 39(2) 84441
FAX: 39(2) 8950-0665

Japan: Tokyo
Phone: 81(3) 3448-4611
FAX: 81(3) 3444-0318

The Netherlands: Hoofddorp
Phone: 31(2503) 13300
FAX: 31(2503) 37271

Norway: Oslo
Phone: 47(2) 165050
FAX: 47(2) 165052

Spain: Madrid
Phone: 34 (1) 404.1011
FAX: 34 (1) 404.0997

Sweden: Stockholm
Phone: 46(8) 29 21 10
FAX: 46(8) 98 61 05

Switzerland: Zug
Phone: 41(42) 219192
FAX: 41(42) 217784

U.K.: Marlow
Phone: 44 (0628) 486000
FAX: 44 (0628) 47 4799

Tektronix sales and service offices around the world:
Algeria, Argentina, Australia, Austria, Bahrain, Bangladesh, Belgium, Bolivia, Brazil, Bulgaria, Canada, Chile, People's Republic of China, Colombia, Costa Rica, Cyprus, Czechoslovakia, Denmark, Ecuador, Egypt, Finland, France, Germany, Greece, Hong Kong, Iceland, India, Indonesia, Ireland, Israel, Italy, Ivory Coast, Japan, Jordan, Korea, Kuwait, Lebanon, Malaysia, Mexico, The Netherlands, New Zealand, Nigeria, Norway, Oman, Pakistan, Panama, Peru, Philippines, Poland, Portugal, Saudi Arabia, South Africa, Singapore, Spain, Sri Lanka, Sweden, Switzerland, Taiwan, Thailand, Tunisia, Turkey, United Arab Emirates, United Kingdom, Uruguay, Venezuela, Zimbabwe.